

SIMPLIFIED DIAGRAM OF RECEIVER R1082

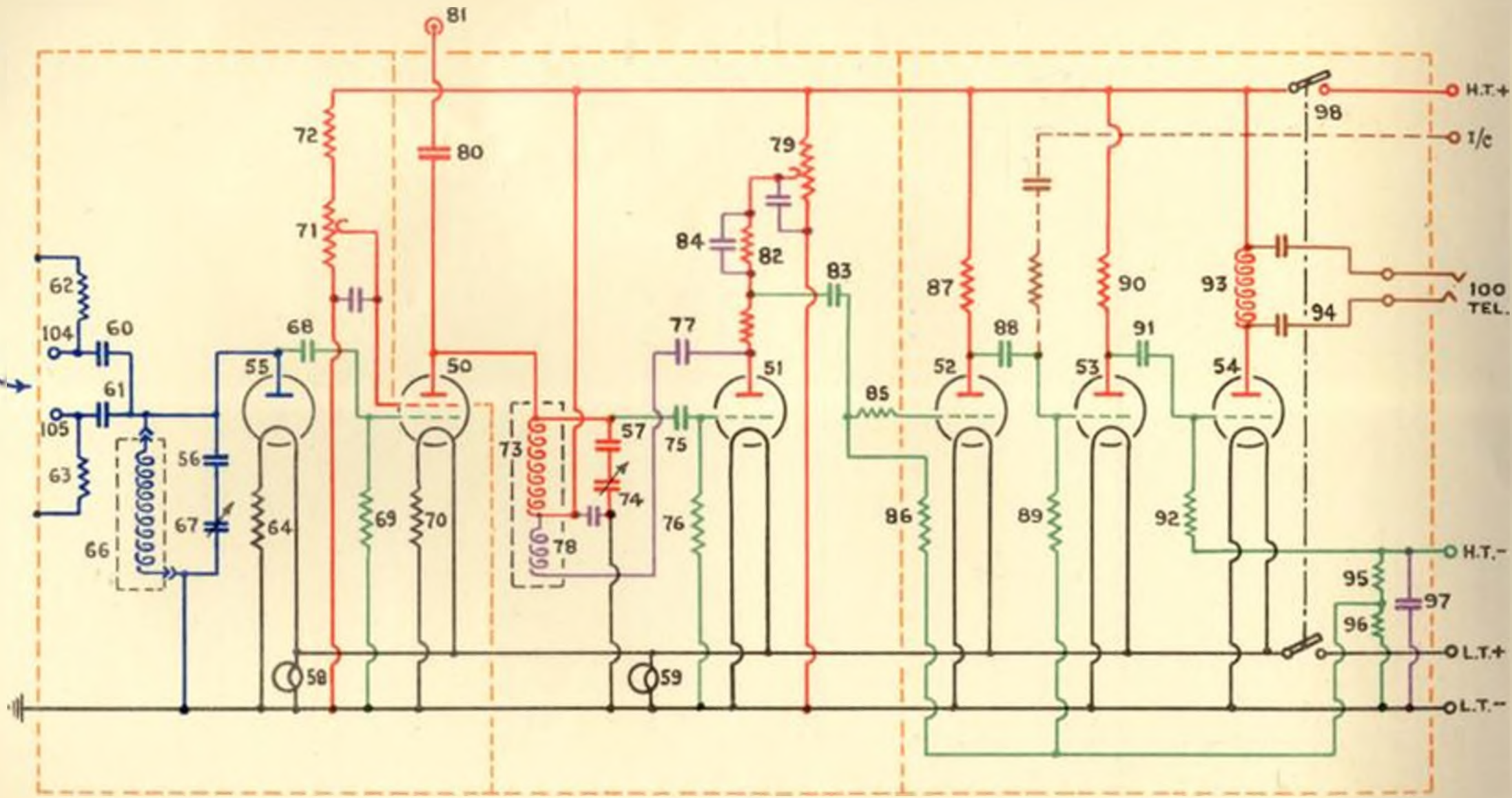
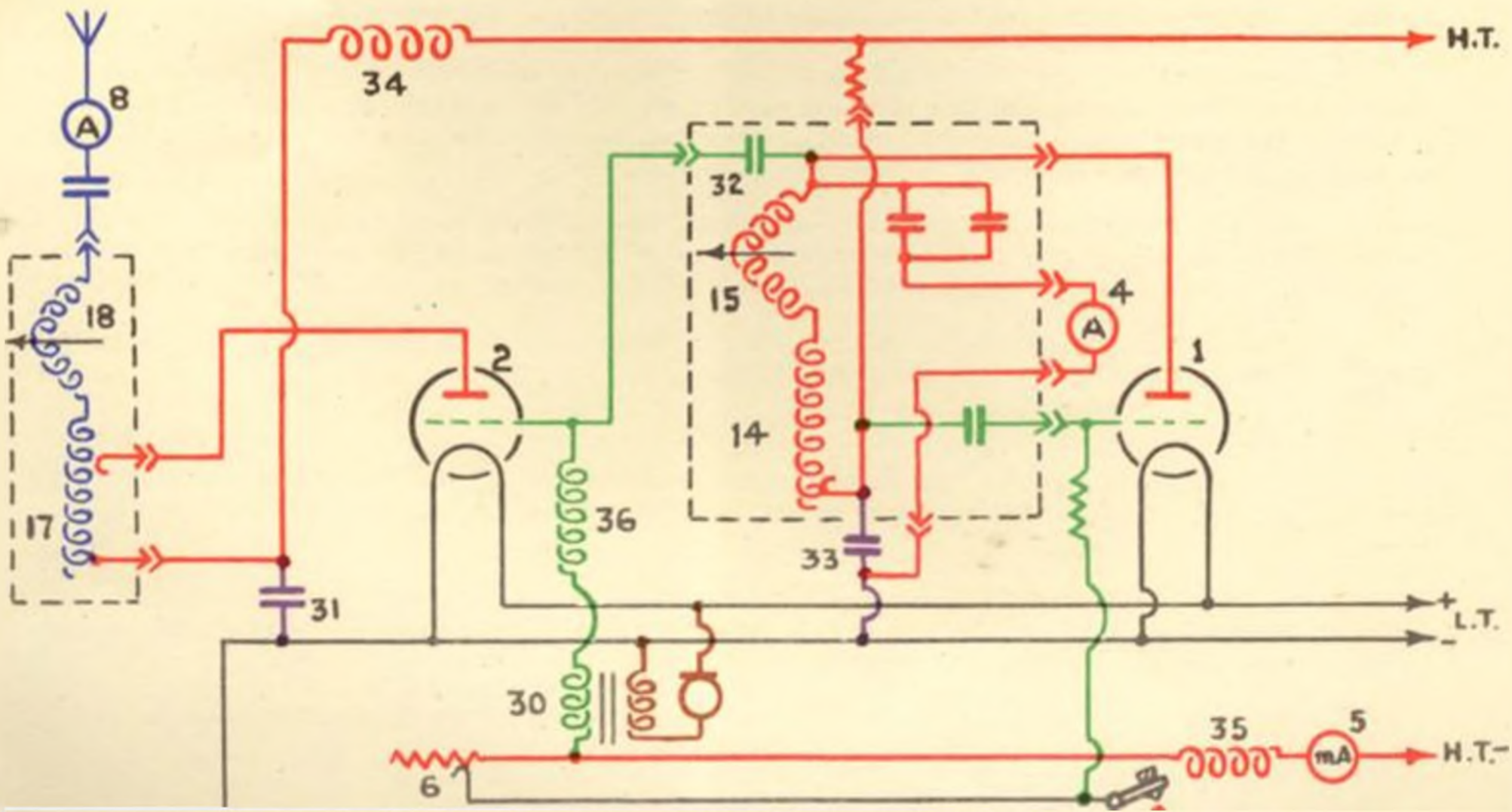
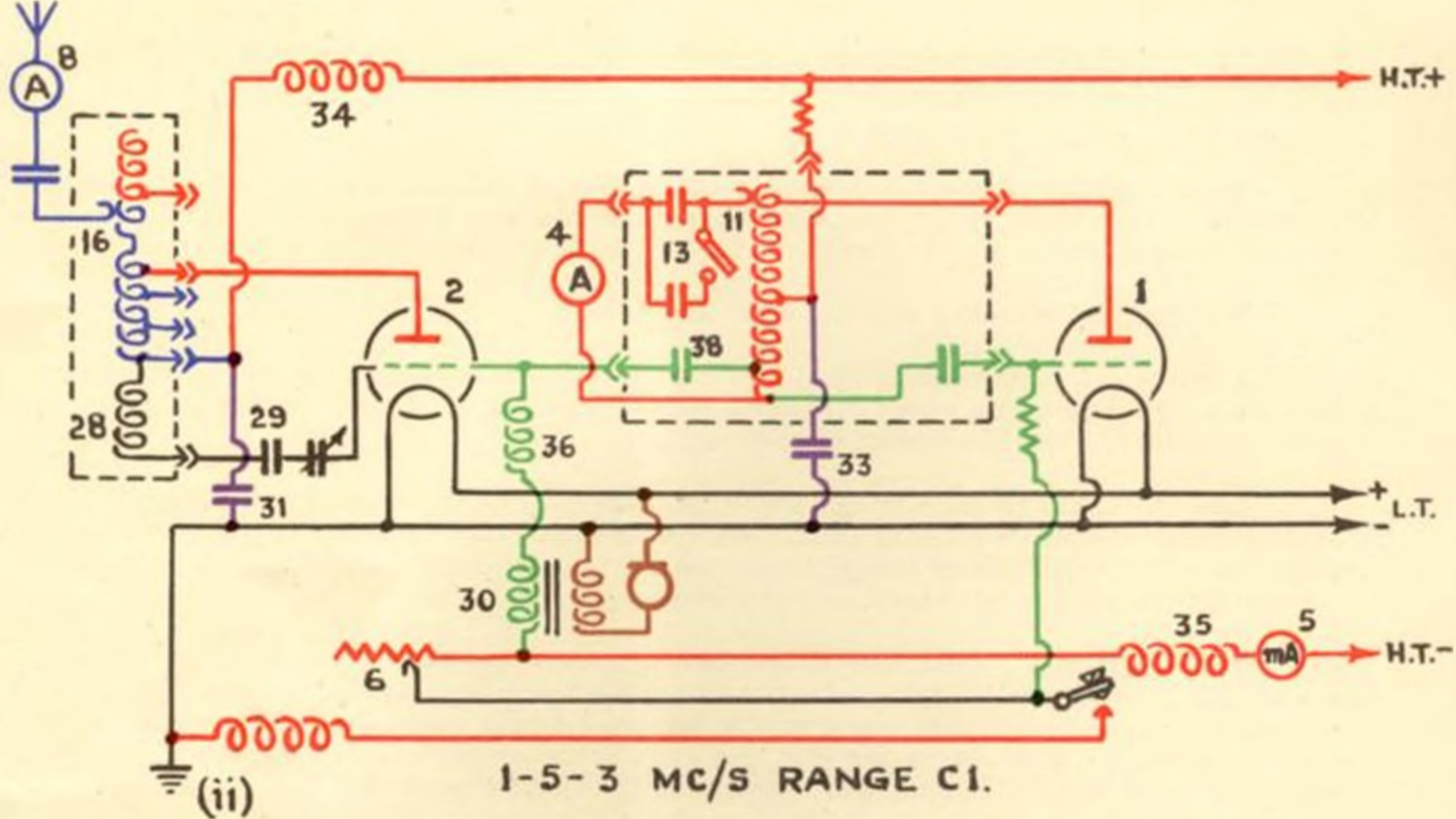
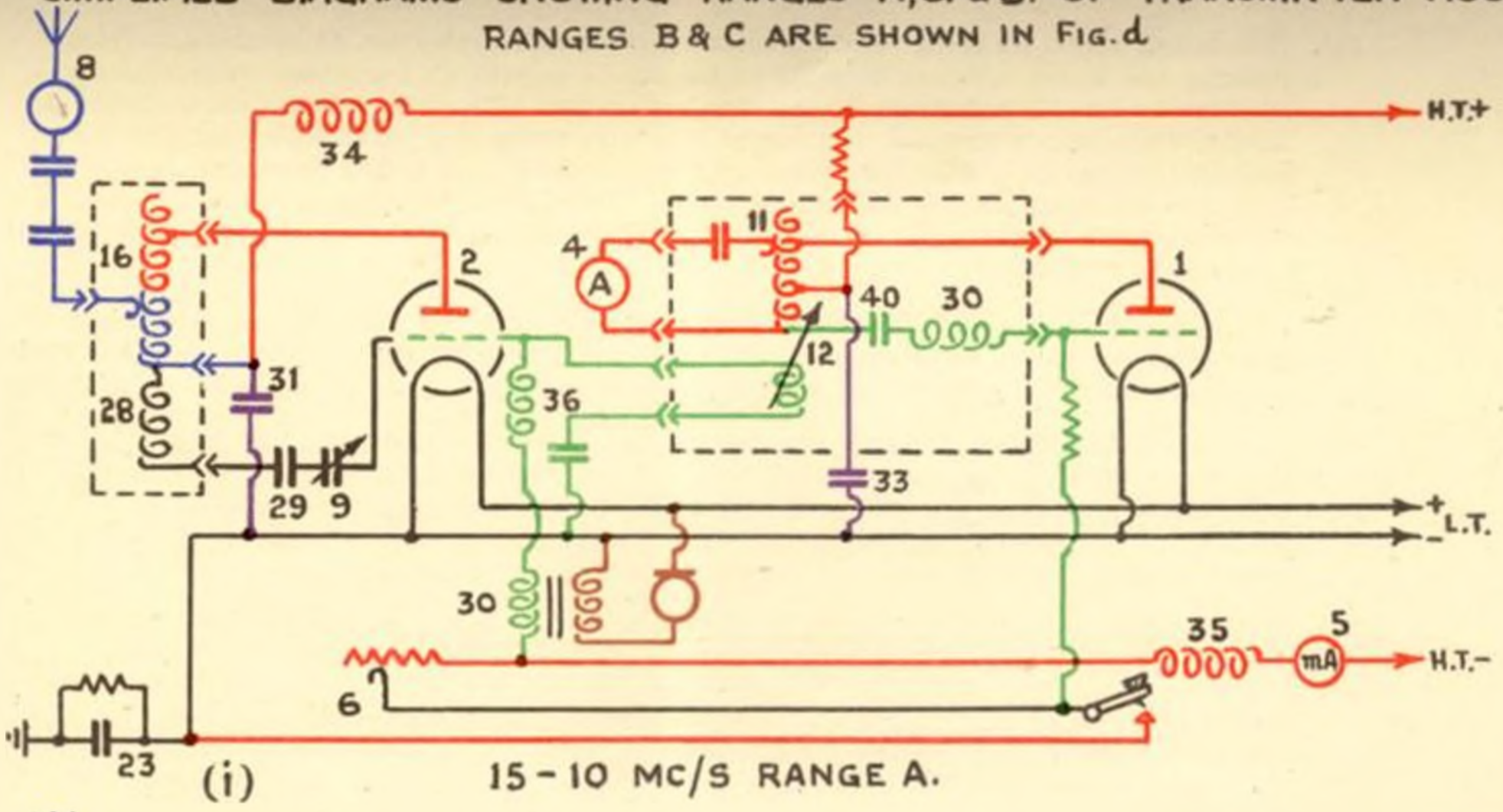


Fig. f.

TRANSMITTER T1083 RECEIVER R1082

SIMPLIFIED DIAGRAMS SHOWING RANGES A, C1 & D. OF TRANSMITTER T1083

RANGES B & C ARE SHOWN IN FIG. d



SIMPLIFIED DIAGRAM OF TRANSMITTER T10BJ SHOWING RANGES B & C

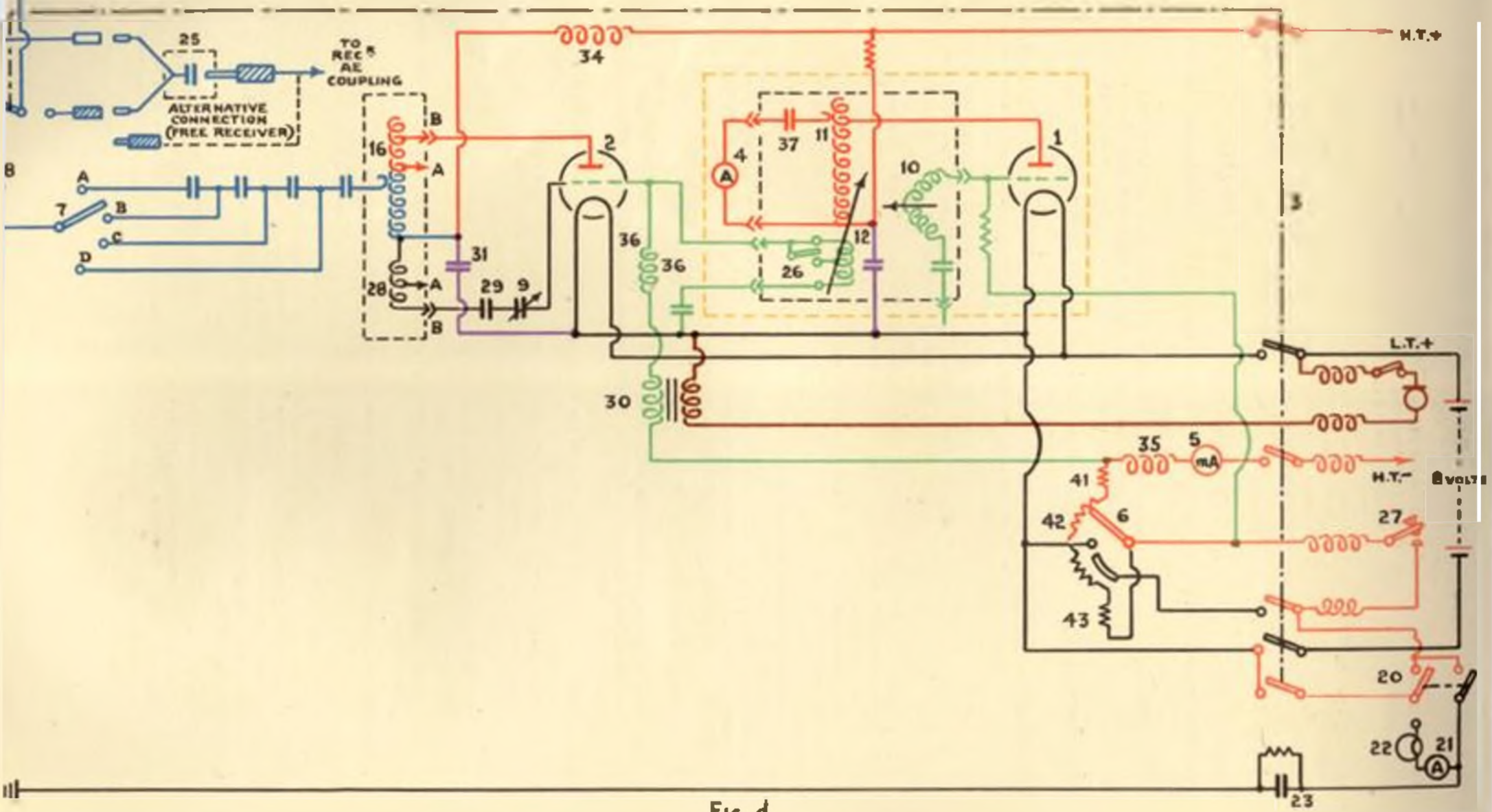


FIG. d

LAYOUT FOR TRANSPORTABLE STATION

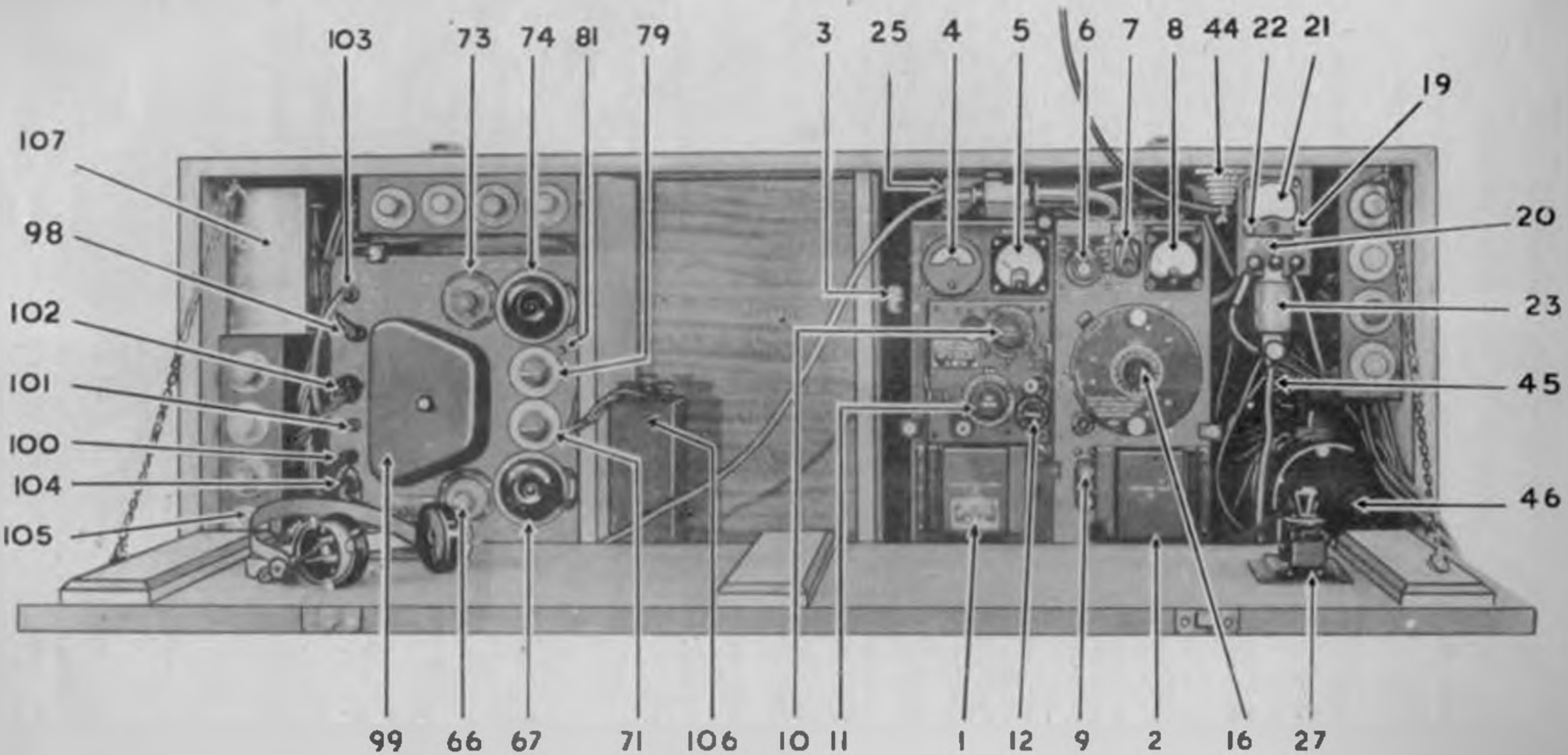


FIG. C.

TRANSMITTER T1083 RECEIVER R1082

LAYOUT FOR SHIP USE

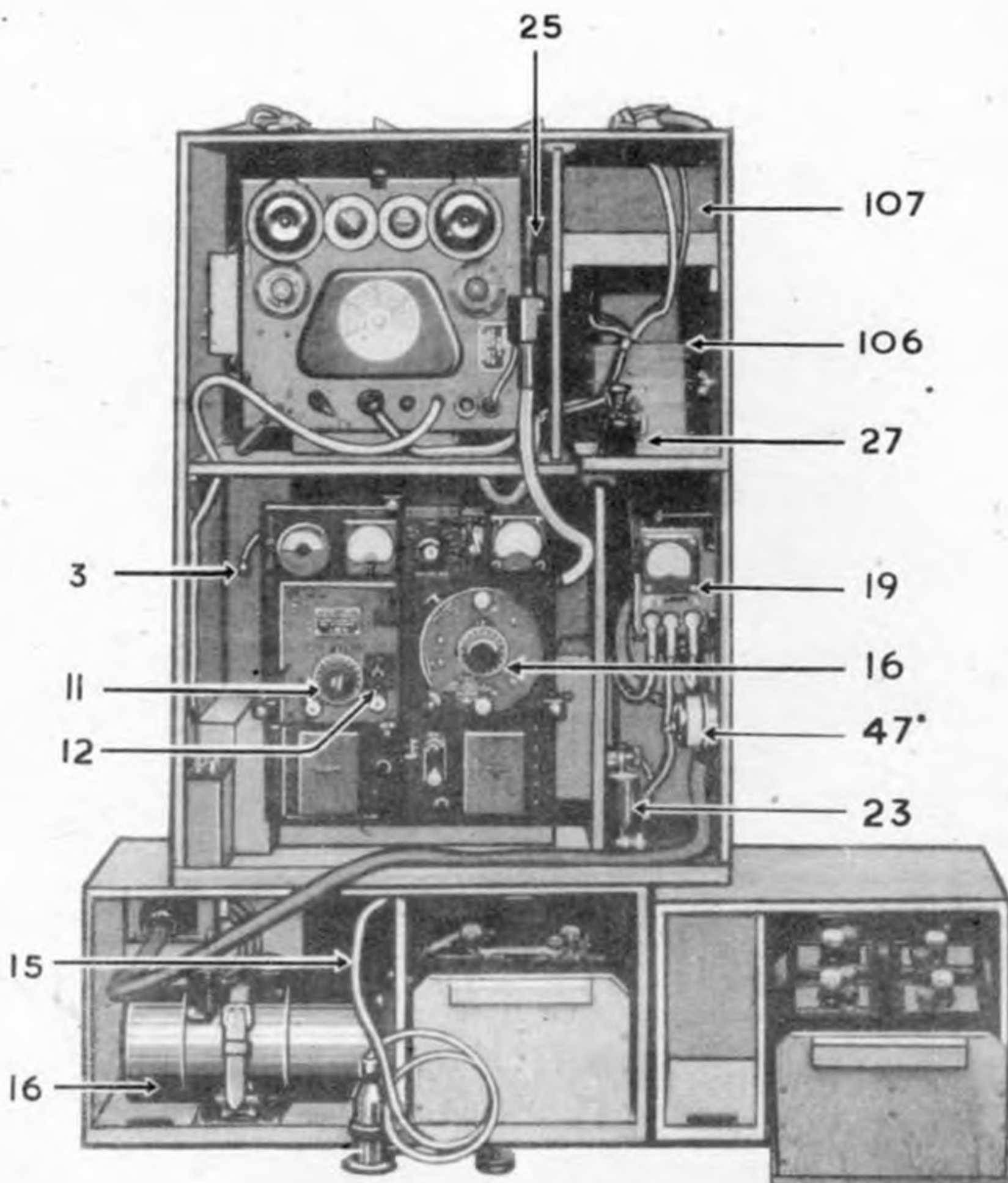


FIG. A.

